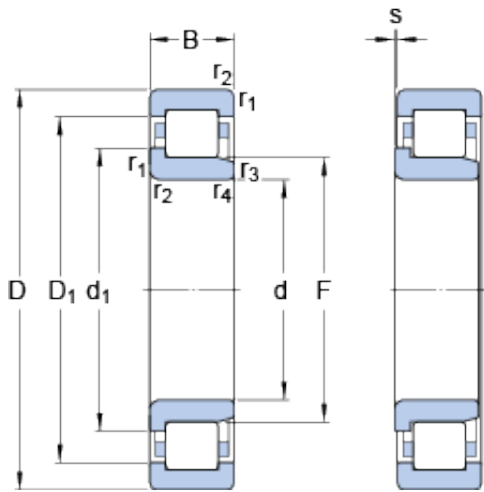




BEARING-SINGAPORE (PTE)LTD.



100 mm x 215 mm x 47 mm SKF NJ 320 ECJ
thrust ball bearings

Bearing No. NJ 320 ECJ

NJ 320 ECJ Bearing 2D drawings and 3D CAD models

Size	215x100x47 mm
Bore Diameter	215 mm
Outer Diameter	100 mm
Width	47 mm
d	100 mm
D	215 mm
B	47 mm
d ₁	139 mm
D ₁	181.1 mm
F	127.5 mm
r _{1,2} - min.	3 mm
r _{3,4} - min.	3 mm
s	2.9 mm
d _a - min.	114 mm
d _a - max.	124 mm
d _b - min.	142 mm
D _a - max.	199.6 mm
r _a - max.	2.5 mm
Basic dynamic load rating - C	450 kN
Basic static load rating - C ₀	440 kN
Fatigue load limit - P _u	51 kN
Reference speed	3200 r/min
Limiting speed	3800 r/min
Calculation factor - k _r	0.15



BEARING-SINGAPORE (PTE)LTD.

Category	Cylindrical Roller Bearings
Inventory	0.0
Manufacturer Name	SKF
Minimum Buy Quantity	N/A
Weight / Kilogram	7.746
EAN	7316577313102
Product Group	B04144
Bore Profile	Straight
Cage Material	Steel
Precision Class	RBEC 1 ISO P0
Number of Rows of Rollers	Single Row
Separable	Inner Ring - One Side
Rolling Element	Cylindrical Roller Bearing
Profile	Complete with Outer and Inner Ring
Snap Ring	No
Internal Clearance	C0-Medium
Retainer	Yes
Relubricatable	Yes
Inch - Metric	Metric
Other Features	High Capacity 1 Rib Inner Ring 2 Rib Outer Ring Cage on Outer Ring ID
Long Description	100MM Bore; Straight Bore Profile; 215MM Outside Diameter; 47MM Width; Steel Cage Material; RBEC 1 ISO P0; Single Row; Inner Ring - One Side Separable; No Snap Ring; Relubricatable; C0-Medium Inter
Category	Cylindrical Roller Bearing
UNSPSC	31171547
Harmonized Tariff Code	8482.50.00.00
Noun	Bearing



BEARING-SINGAPORE (PTE)LTD.

Manufacturer URL	http://www.skf.com
Manufacturer Item Number	NJ 320 ECJ
Weight / LBS	17.062
Width	1.85 Inch 47 Millimeter
Bore	3.937 Inch 100 Millimeter
Outside Diameter	8.465 Inch 215 Millimeter
bore diameter:	100 mm
static load capacity:	440 kN
outside diameter:	215 mm
precision rating:	Not Rated
overall width:	47 mm
maximum rpm:	3800 RPM
flanges:	(2) Outer Ring, (1) Inner Ring
bearing material:	Steel
bore type:	Straight
cage material:	Steel
number of rows:	1
finish/coating:	Uncoated
internal clearance:	C0
closure type:	Open
ring separation:	Separable Ring
outer ring width:	47 mm
operating temperature range:	Maximum of +300 ° F
fillet radius:	2.5 mm
dynamic load capacity:	450 kN
series:	NJ3
d ₁	139 mm
D ₁	181.25 mm
r _{1,2} min.	3 mm
r _{3,4} min.	3 mm
s max.	2.9 mm



BEARING-SINGAPORE (PTE)LTD.

d_a min.	114 mm
d_a max.	124 mm
d_b min.	142 mm
D_a max.	199.6 mm
r_a max.	2.5 mm
Basic dynamic load rating C	450 kN
Basic static load rating C_0	440 kN
Fatigue load limit P_u	51 kN
Calculation factor k_r	0.15
Limiting value e	0.2
Axial load factor Y	0.6
Mass bearing	7.8 kg
Angle ring	HJ 320 EC