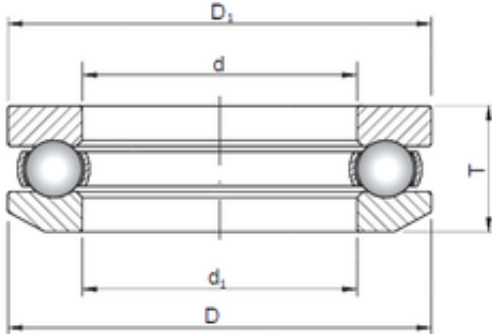




## BEARING-SINGAPORE (PTE)LTD.

### ISO 53320 thrust ball bearings



Bearing No. 53320

Bore Diameter	100 mm
Outer Diameter	170 mm
d	100 mm
d1	103 mm
D	170 mm
D1	170 mm
T	59,2 mm

53320 Bearing 2D drawings and 3D CAD models