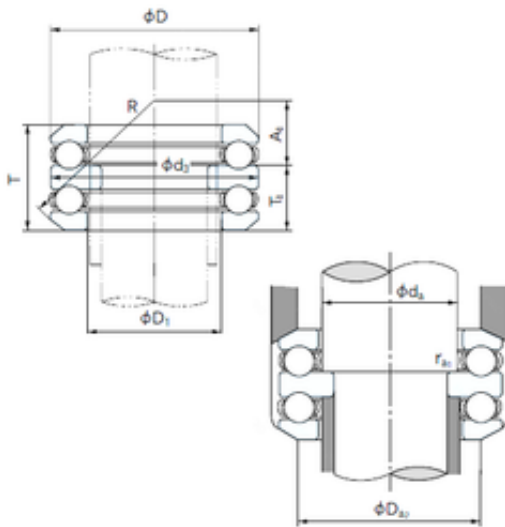




BEARING-SINGAPORE (PTE)LTD.



NACHI 54317 thrust ball bearings

Bearing No. 54317

Size	85x150x95.2 mm
Bore Diameter	85 mm
Outer Diameter	150 mm
Width	95.2 mm
d	85 mm
d2	70 mm
D	150 mm
T	95.2 mm
ra1 max.	1 mm
T1	57.1 mm
a	19 mm
d3	150 mm
r min.	1.5 mm
r1 min.	1 mm
A1	39 mm
D1	88 mm
D2	115 mm
D3	155 mm
R	112 mm
da min.	85 mm
Da max.	115 mm
ra max.	1.5 mm
Weight	6.41 Kg
Basic dynamic load rating (C)	206 kN
Basic static load rating (C0)	490 kN
(Grease) Lubrication Speed	1100 r/min

54317 Bearing 2D drawings and 3D CAD models



BEARING-SINGAPORE (PTE)LTD.