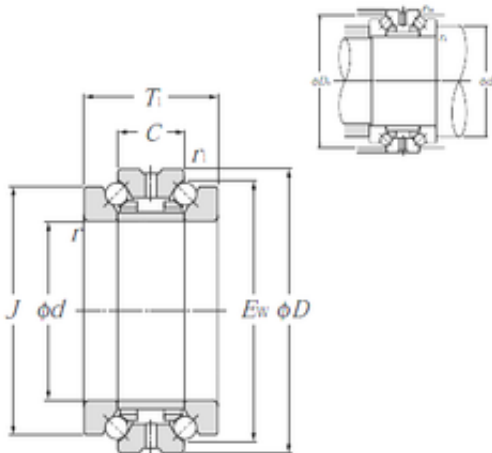




# BEARING-SINGAPORE (PTE)LTD.

## NTN 562022M thrust ball bearings

Bearing No. 562022M



562022M Bearing 2D drawings and 3D CAD models

Bore Diameter	114 mm
Outer Diameter	155 mm
d	114 mm
D	170 mm
Ew	155 mm
T1	72 mm
C	36 mm
ra1 max.	1 mm
r min.	2 mm
r1 min.	1 mm
J	150 mm
da min.	133 mm
Da max.	162 mm
ra max.	2 mm
Weight	4,9 Kg
Basic dynamic load rating (C)	96 kN
Basic static load rating (C0)	315 kN
(Grease) Lubrication Speed	2 400 r/min