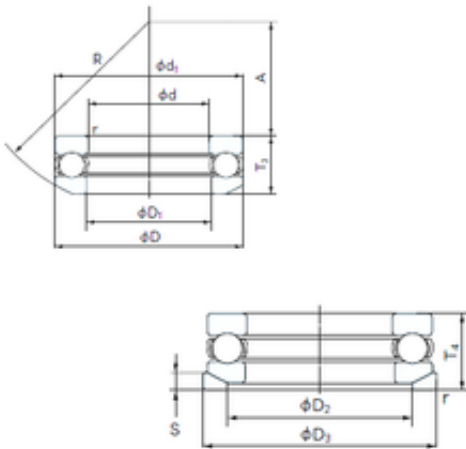




# BEARING-SINGAPORE (PTE)LTD.

## NACHI 53216U thrust ball bearings

Bearing No. 53216U



53216U Bearing 2D drawings and 3D CAD models

Size	80x115x33 mm
Bore Diameter	80 mm
Outer Diameter	115 mm
Width	33 mm
d	80 mm
D	115 mm
T	33 mm
d1	115 mm
r min.	1 mm
A	46 mm
D1	82 mm
D2	98 mm
D3	120 mm
R	90 mm
S	10 mm
Weight	1.16 Kg
Basic dynamic load rating (C)	78,5 kN
Basic static load rating (C0)	219 kN
(Grease) Lubrication Speed	1700 r/min