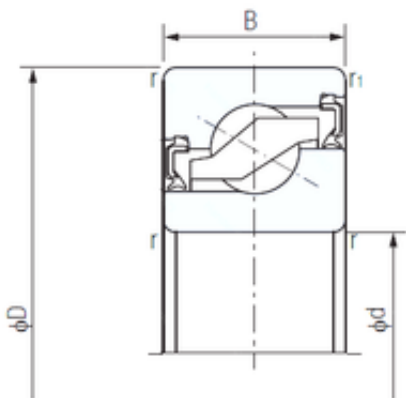




BEARING-SINGAPORE (PTE)LTD.

15 mm x 47 mm x 15 mm NACHI 15TAB04-2NK thrust ball bearings

Bearing No. 15TAB04-2NK



15TAB04-2NK Bearing 2D drawings and 3D CAD models

Size	15x47x15 mm
Bore Diameter	15 mm
Outer Diameter	47 mm
Width	15 mm
d	15 mm
D	47 mm
B	15 mm
C	15 mm
Angle (°)	60 °
r min.	1 mm
r1 min.	0,6 mm
Weight	0,14 Kg
Basic dynamic load rating (C)	25,9 kN
Basic static load rating (C0)	32 kN
Bore Type	Cylindrical Bore
Enclosure	Double Seal
Configuration	Single Row
Bore Size	15 mm
Outside Diameter	47 mm
Width	15 mm
Fillet Radius/Chamfer	1 mm
r1	0.6 mm
2B	30 mm
Dynamic Load Rating	25,900 N
Static Load Rating	32,000 N



BEARING-SINGAPORE (PTE)LTD.

Limiting Speed - Oil	4,400 rpm
Starting Torque - Grease Lubrication	15 N · cm
Da1	35 mm
Da2	41.9 mm
da1	33.7 mm
da2	26.8 mm