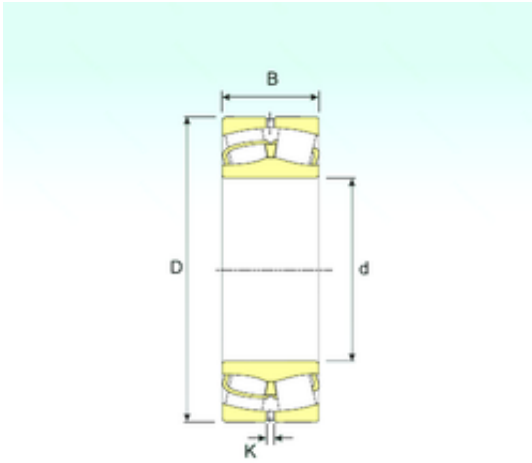




## BEARING-SINGAPORE (PTE)LTD.



23948 Bearing 2D drawings and 3D CAD models

240 mm x 320 mm x 60 mm ISB 23948 spherical roller bearings

Bearing No. 23948

Size	240x320x60 mm
Bore Diameter	240 mm
Outer Diameter	320 mm
Width	60 mm
d	240 mm
D	320 mm
B	60 mm
C	60 mm
K	4,5 mm
Weight	13,5 Kg
Basic dynamic load rating (C)	553 kN
Basic static load rating (C0)	1137 kN
(Grease) Lubrication Speed	1530 r/min