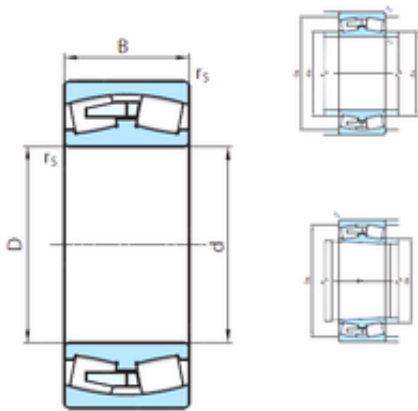




BEARING-SINGAPORE (PTE)LTD.

180 mm x 320 mm x 112 mm PSL 23236MB
spherical roller bearings



Bearing No. 23236MB

Size	180x320x112 mm
Bore Diameter	180 mm
Outer Diameter	320 mm
Width	112 mm
d	180 mm
D	320 mm
B	112 mm
C	112 mm
r min.	4 mm
da min.	198 mm
Da min	274 mm
Da max.	302 mm
ra max.	3 mm
Weight	40 Kg
Basic dynamic load rating (C)	1305 kN
Basic static load rating (C0)	2080 kN
(Grease) Lubrication Speed	890 r/min
(Oil) Lubrication Speed	1100 r/min
Calculation factor (e)	0,31
Calculation factor (Y0)	2,1
Calculation factor (Y1)	2,2

23236MB Bearing 2D drawings and 3D CAD models