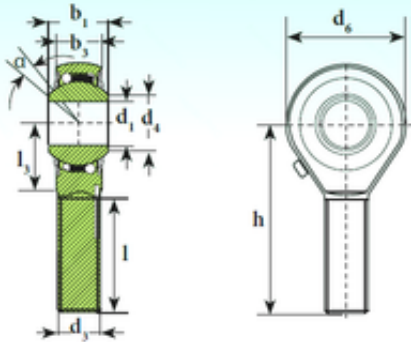




BEARING-SINGAPORE (PTE)LTD.

ISB TSM 08 BB-O self aligning ball bearings

Bearing No. TSM 08 BB-O



TSM 08 BB-O Bearing 2D drawings and 3D CAD models

Bore Diameter	8 mm
d1	8 mm
l	25 mm
b1	12 mm
d4	10,5 mm
d6	24 mm
h	42 mm
l3 min.	15 mm
B3	9 mm
Thread (G)	M8
Angle	8,5 °
Weight	0,036 Kg
Basic dynamic load rating (C)	4 kN
Basic static load rating (C0)	1 kN
Limiting speed	1300 r/min
Calculation factor (Y)	1,8