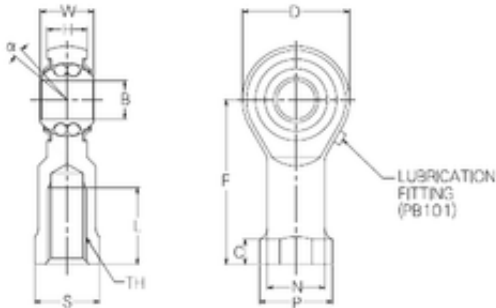




BEARING-SINGAPORE (PTE)LTD.

20 mm x 50 mm x 20 mm NMB PBR20FN self aligning ball bearings



Bearing No. PBR20FN

Bore Diameter	20 mm
Width	20 mm
d	20 mm
P	34 mm
B	20 mm
C	10 mm
D	50 mm
F	77 mm
H	18 mm
L	33 mm
N	27,5 mm
S	30 mm
W	25 mm
Angle	7 °
Thread (TH)	M20 × 1,5
Weight	367 Kg
Basic dynamic load rating (C)	7,9 kN

PBR20FN Bearing 2D drawings and 3D CAD models