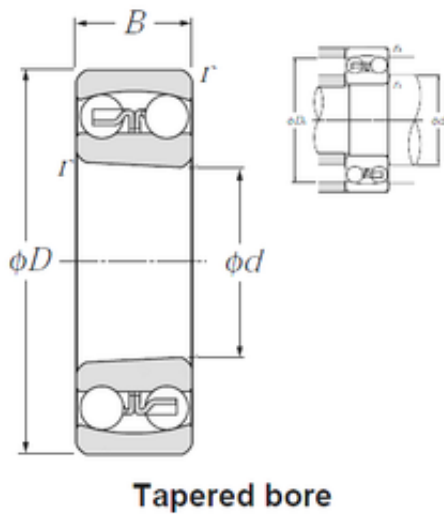




BEARING-SINGAPORE (PTE)LTD.



40 mm x 90 mm x 23 mm NTN 1308SK self aligning ball bearings

Bearing No. 1308SK

1308SK Bearing 2D drawings and 3D CAD models

Size	40x90x23 mm
Bore Diameter	40 mm
Outer Diameter	90 mm
Width	23 mm
d	40 mm
D	90 mm
B	23 mm
C	23 mm
r min.	1,5 mm
da min.	48 mm
Da max.	82 mm
ra max.	1,5 mm
Weight	0,715 Kg
Basic dynamic load rating (C)	29,8 kN
Basic static load rating (C0)	9,7 kN
(Grease) Lubrication Speed	6 700 r/min
(Oil) Lubrication Speed	8 500 r/min
Calculation factor (e)	0,24
Calculation factor (Y0)	2,7
Calculation factor (Y1)	2,6
rs min	1.5 mm
Associated sleeve reference	H308X
e	0.24
Y1	2.6
Y2	4



BEARING-SINGAPORE (PTE)LTD.

Y0	2.7
Radial clearance class	CN
Precision class	P0
Mass	0.72 kg
Dynamic load, C	29.8 kN
Static load, C0	9.7 kN
Nlim (oil)	8,500 rpm
Nlim (grease)	6,700 rpm
Min operating temperature, Tmin	-20 ° C
Max operating temperature, Tmax	120 ° C
da min	48 mm
da max	56 mm
db min	44 mm
Ce min	5 mm
Da max	82 mm
ra max	1.5 mm