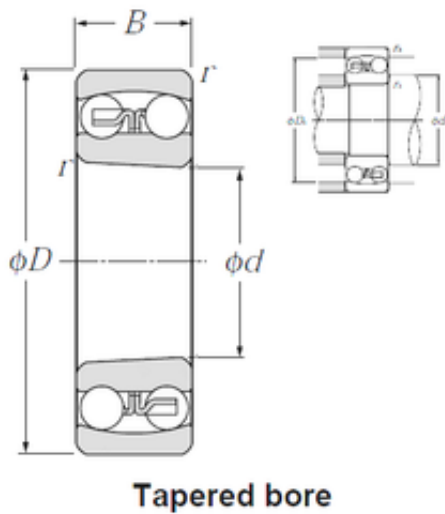




BEARING-SINGAPORE (PTE)LTD.



30 mm x 62 mm x 16 mm NTN 1206SK self aligning ball bearings

Bearing No. 1206SK

Size	30x62x16 mm
Bore Diameter	30 mm
Outer Diameter	62 mm
Width	16 mm
d	30 mm
D	62 mm
B	16 mm
C	16 mm
r min.	1 mm
da min.	35 mm
Da max.	57 mm
ra max.	1 mm
Weight	0,22 Kg
Basic dynamic load rating (C)	15,8 kN
Basic static load rating (C0)	4,65 kN
(Grease) Lubrication Speed	10 000 r/min
(Oil) Lubrication Speed	12 000 r/min
Calculation factor (e)	0,25
Calculation factor (Y0)	2,6
Calculation factor (Y1)	2,5
rs min	1 mm
Associated sleeve reference	H206X
e	0.25
Y1	2.5
Y2	3.9

1206SK Bearing 2D drawings and 3D CAD models



BEARING-SINGAPORE (PTE)LTD.

Y0	2.6
Radial clearance class	CN
Precision class	P0
Mass	0.22 kg
Dynamic load, C	15.8 kN
Static load, C0	4.65 kN
Nlim (oil)	12,000 rpm
Nlim (grease)	10,000 rpm
Min operating temperature, Tmin	-20 ° C
Max operating temperature, Tmax	120 ° C
da min	35 mm
da max	39 mm
db min	33 mm
Ce min	5 mm
Da max	57 mm
ra max	1 mm