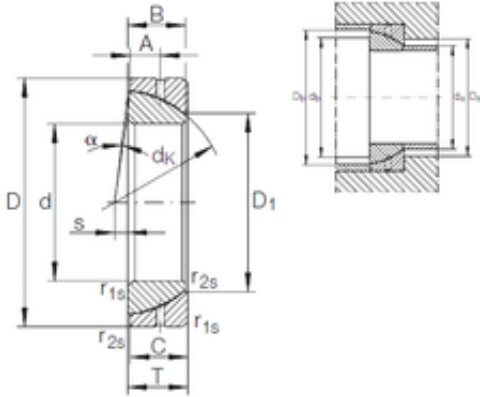




BEARING-SINGAPORE (PTE)LTD.

130 mm x 200 mm x 42 mm INA GE 130 SX
plain bearings



GE 130 SX Bearing 2D drawings and 3D CAD models

Bearing No. GE 130 SX

Size	130x200x45 mm
Bore Diameter	130 mm
Outer Diameter	200 mm
Width	45 mm
d	130 mm
D	200 mm
T	45 mm
B	42 mm
C	42 mm
dk	190 mm
r1 min.	2,5 mm
r2 min.	0,6 mm
A	22,5 mm
D1	148 mm
S	20 mm
da max	143,9 mm
Da min	158 mm
db min	174 mm
Db min.	192 mm
Angle	1,9 °
Weight	6,1 Kg
Basic dynamic load rating (C)	622 kN