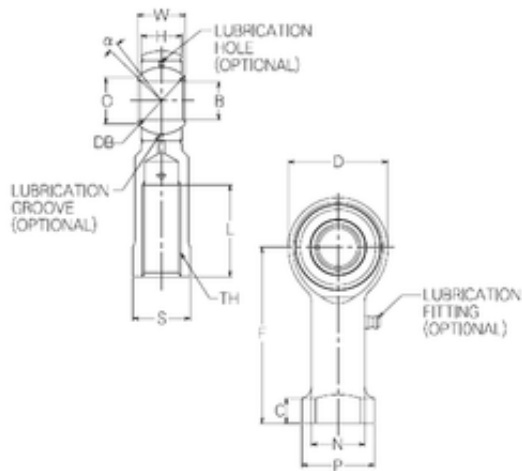




BEARING-SINGAPORE (PTE)LTD.

5 mm x 20,5 mm x 5 mm NMB HR5 plain bearings



Bearing No. HR5

Bore Diameter	5 mm
d	5 mm
P	15 mm
Db	13,49 mm
O	7,8 mm
B	5 mm
C	4,5 mm
D	20,5 mm
F	35 mm
H	8,75 mm
L	19 mm
N	10,8 mm
S	12 mm
W	11 mm
Angle	15 °
Thread (TH)	M5 × 0,8

HR5 Bearing 2D drawings and 3D CAD models