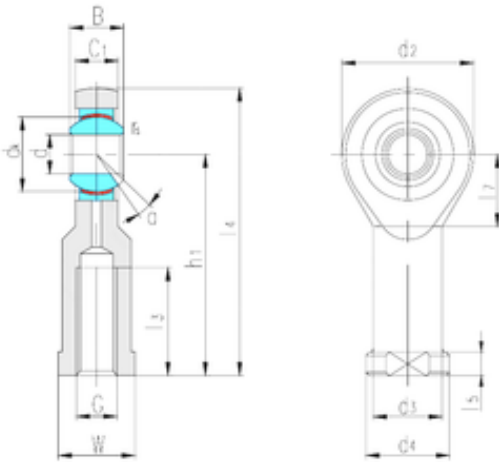




BEARING-SINGAPORE (PTE)LTD.

LS SIJK10C/B1 plain bearings

Bearing No. SIJK10C/B1



SIJK10C/B1 Bearing 2D drawings and 3D CAD models

Bore Diameter	10 mm
d	10 mm
B	14 mm
d2	30 mm
d3	15 mm
d4	19 mm
dk	19,05 mm
h1	43 mm
l3 min.	15 mm
l4 max.	58 mm
l5	6,5 mm
l7 min.	16 mm
r min.	0,3 mm
C1	11,5 mm
W	16 mm
Thread (G)	M10 × 1,25
Angle	10 °
Weight	0,088 Kg
Basic dynamic load rating (C)	12 kN