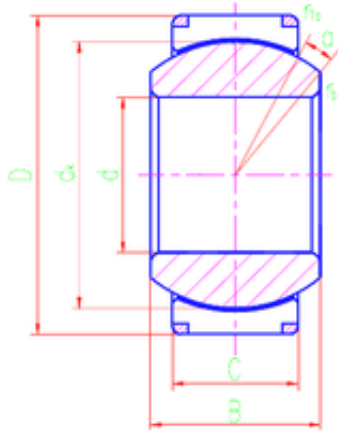




BEARING-SINGAPORE (PTE)LTD.

120 mm x 180 mm x 85 mm LS
GEH120XT-2RS plain bearings



Bearing No. GEH120XT-2RS

Size	120x180x85 mm
Bore Diameter	120 mm
Outer Diameter	180 mm
Width	85 mm
d	120 mm
D	180 mm
B	85 mm
C	80 mm
dk	160 mm
r min.	1 mm
r1 min.	1 mm
Angle	2 °
Weight	8,87 Kg
Basic dynamic load rating (C)	1920 kN

GEH120XT-2RS Bearing 2D drawings and 3D CAD models