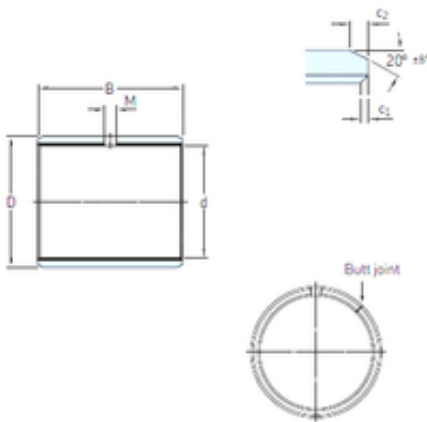




BEARING-SINGAPORE (PTE)LTD.



75 mm x 80 mm x 60 mm SKF PCM 758060 M
plain bearings

Bearing No. PCM 758060 M

Size	75x80x60 mm
Bore Diameter	75 mm
Outer Diameter	80 mm
Width	60 mm
d	75 mm
D	80 mm
B	60 mm
c1 min	0,2 mm
c2 min	1,2 mm
M	6 mm
Weight	0,255 Kg
Basic dynamic load rating (C)	530 kN
Category	Plain Bearings
Inventory	0.0
Manufacturer Name	SKF
Minimum Buy Quantity	N/A
Weight / Kilogram	0.261
EAN	7316571376318
Product Group	B04264
bushing type:	Plain
bushing material:	POM
inside diameter:	75 mm
overall outside diameter:	75 mm
bushing outside diameter:	80 mm
groove type:	Plain Interior

PCM 758060 M Bearing 2D drawings and 3D CAD models



BEARING-SINGAPORE (PTE)LTD.

overall length:	60 mm
ground type:	Ground
c ₁ min.	0.2 mm
c ₁ max.	1 mm
c ₂ min.	1.2 mm
c ₂ max.	2.4 mm
± 8	20 °
Tolerance shaft	h8
Tolerance housing	H7
Basic dynamic load rating - radial direction C	530 kN
Basic static load rating - radial direction C ₀	1100 kN
Specific dynamic load factor K	120 N/mm ²
Specific static load factor K ₀	250 N/mm ²
Factor depending on material and bearing type K _M	1900
Permissible sliding velocity v min.	0 m/s
Permissible sliding velocity v max.	2.5 m/s
Coefficient of friction μ min.	0.02
Coefficient of friction μ max.	0.2
Mass bushing	0.26 kg