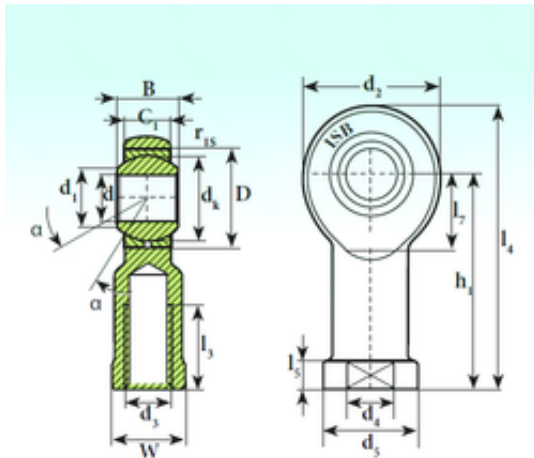




## BEARING-SINGAPORE (PTE)LTD.



TSF 10.1 C Bearing 2D drawings and 3D CAD models

10 mm x 22 mm x 14 mm ISB TSF 10.1 C plain bearings

Bearing No. TSF 10.1 C

Size	10x22x14 mm
Bore Diameter	10 mm
Outer Diameter	22 mm
Width	14 mm
d	10 mm
D	22 mm
B	14 mm
d1	12,9 mm
d2	28 mm
d4	15 mm
dk	19,05 mm
h1	43 mm
l3 min.	15 mm
l4 max.	58 mm
l5	6,5 mm
l7 min.	15 mm
r min.	0,3 mm
C1	11,5 mm
W	16 mm
Thread (G)	M10x1,25
Angle	13 °
d5	19 r/min
Weight	0,08 Kg
Basic dynamic load rating (C)	12 kN