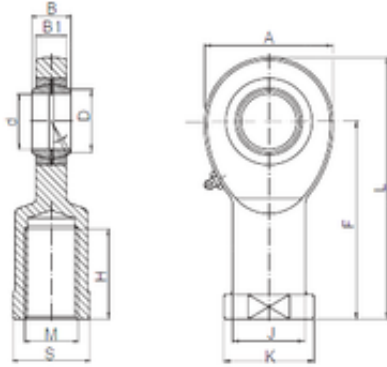




BEARING-SINGAPORE (PTE)LTD.

8 mm x 10,4 mm x 12 mm ISO SIL 08 plain bearings



Bearing No. SIL 08

| | |
|---------------|---------|
| Bore Diameter | 8 mm |
| d | 8 mm |
| B | 12 mm |
| A | 24 mm |
| B1 | 9 mm |
| D | 10,4 mm |
| F | 36 mm |
| H | 16 mm |
| J | 12,5 mm |
| K | 16 mm |
| L | 48 mm |
| S | 13 mm |
| Bolt (G) | M8 |

SIL 08 Bearing 2D drawings and 3D CAD models