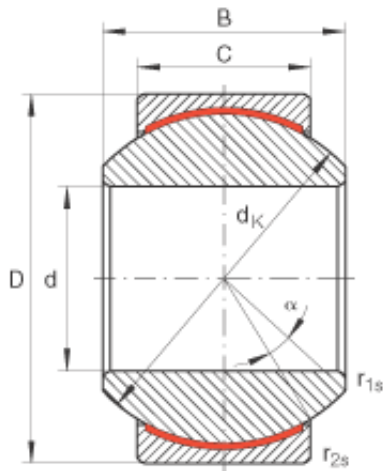




BEARING-SINGAPORE (PTE)LTD.



INA GE16-PW plain bearings

Bearing No. GE16-PW

| | |
|-------------------------|-----------------------------------|
| Size | 16x32x21 mm |
| Bore Diameter | 16 mm |
| Outer Diameter | 32 mm |
| Width | 21 mm |
| C | 15 mm |
| $D_{a \min}$ | 25,5 mm |
| $d_{a \max}$ | 19,3 mm |
| d_K | 28,575 mm |
| $r_{1s \min}$ | 0,3 mm |
| $r_{2s \min}$ | 0,3 mm |
| alf (°) | 15 |
| Weight (kg) | 0,079 |
| C_r (N) | 38600 |
| C_{0r} (N) | 96400 |
| Category | Spherical Plain Bearings - Radial |
| Inventory | 0.0 |
| Manufacturer Name | SCHAEFFLER GROUP |
| Minimum Buy Quantity | N/A |
| Weight / Kilogram | 0.095 |
| EAN | 4012802531459 |
| Product Group | B04264 |
| Self Aligning | Yes |
| Rolling Element | Spherical Plain |
| Material - Outer Member | Steel |
| Material - Ball | Steel |

GE16-PW Bearing 2D drawings and 3D CAD models



BEARING-SINGAPORE (PTE)LTD.

| | |
|--------------------------|--|
| Material - Liner | Bronze Teflon |
| Relubricatable | No |
| Enclosure | Open |
| Other Features | 3 Piece Maintenance Free |
| Long Description | 16MM Bore; 15MM Housing Width; 32MM Outside Diameter; Spherical Plain; Steel Outer Member; Steel Ball; Bronze Teflon Liner; 21MM Overall Width; Not Relubricatable |
| Inch - Metric | Metric |
| Category | Plain Bearings Spherical Radial |
| UNSPSC | 31171515 |
| Harmonized Tariff Code | 8483.30.80.70 |
| Noun | Bearing |
| Keyword 3 | Spherical |
| Keyword String | Plain Spherical Radial |
| Manufacturer URL | http://www.ina.com |
| Manufacturer Item Number | GE16PW |
| Weight / LBS | 0.176 |
| Bore | 0.63 Inch 16 Millimeter |
| Housing Width | 0.591 Inch 15 Millimeter |
| Outside Diameter | 1.26 Inch 32 Millimeter |
| Overall Width | 0.827 Inch 21 Millimeter |