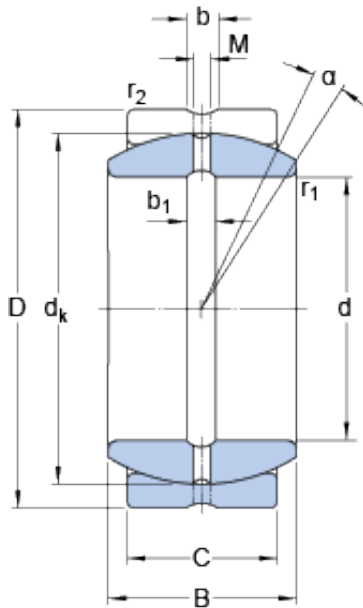




BEARING-SINGAPORE (PTE)LTD.

19.05 mm x 31.75 mm x 16.662 mm SKF GEZ
012 ES plain bearings

Bearing No. GEZ 012 ES



GEZ 012 ES Bearing 2D drawings and 3D CAD models

Size	31.75x19.05x16.662 mm
Bore Diameter	31,75 mm
Outer Diameter	19,05 mm
Width	16,662 mm
d	19.05 mm
D	31.75 mm
B	16.662 mm
C	14.275 mm
	6 °
d _k	27.432 mm
b	3.2 mm
b ₁	3 mm
M	2.5 mm
r ₁ - min.	0.3 mm
r ₂ - min.	1 mm
d _a - min.	20.9 mm
d _a - max.	21.8 mm
D _a - min.	26.1 mm
D _a - max.	28.3 mm
r _a - max.	0.3 mm
r _b - max.	1 mm
Basic dynamic load rating - C	31.5 kN
Basic static load rating - C ₀	93 kN
Specific factor dinamic load - K	100 N/mm ²



BEARING-SINGAPORE (PTE)LTD.

Specific factor static load - K_0	300 N/mm ²
Constant - K_M	330
Category	Spherical Plain Bearings - Radial
Inventory	0.0
Manufacturer Name	SKF
Minimum Buy Quantity	N/A
Weight / Kilogram	0.053
EAN	7316576612190
Product Group	B04264
Self Aligning	Yes
Rolling Element	Spherical Plain
Material - Outer Member	Steel
Material - Ball	Steel
Material - Liner	Not Applicable
Relubricatable	Yes
Enclosure	Open
Other Features	2 Piece Lubrication Hole and an Annular Groove in Both Rings
Long Description	3/4" Bore; 9/16" Housing Width; 1-1/4" Outside Diameter; Steel Outer Member; Steel Ball; No Liner; 21/32" Overall Width; Relubricatable
Inch - Metric	Inch
Category	Plain Bearings Spherical Radial
UNSPSC	31171515
Harmonized Tariff Code	8483.30.80.70
Noun	Bearing
Keyword 3	Spherical
Keyword String	Plain Spherical Radial



BEARING-SINGAPORE (PTE)LTD.

Manufacturer URL	http://www.skf.com
Manufacturer Item Number	GEZ 012 ES
Weight / LBS	0.121
Bore	0.75 Inch 19.05 Millimeter
Outside Diameter	1.25 Inch 31.75 Millimeter
Housing Width	0.562 Inch 14.275 Millimeter
Overall Width	0.656 Inch 16.662 Millimeter
bore diameter:	0.7500 in
outer ring width:	0.5620 in
outside diameter:	1.2500 in
grade:	Commercial/Industrial
misalignment angle:	6 °
overall width:	0.6560 in
inner ring width:	0.6560 in
radial static load capacity:	20907 lbf
bearing type:	Radial
radial dynamic load capacity:	7081 lbf
lubrication type:	Requires Lubrication
operating temperature range:	-50 to +200 ° C ° F
closure type:	Open
weight:	0.12 lb
outer ring material:	Chrome Steel
manufacturer product page:	Click here
inner ring material:	Chrome Steel
manufacturer upc number:	7316576612190
Lubricant	Regular relubrication – grease
Design (sliding contact surface combination)	Steel/steel
Sealing solution	-



BEARING-SINGAPORE (PTE)LTD.

	6 °
d_k	27.432 mm
b_1	3 mm
r_1 min.	0.3 mm
r_2 min.	1 mm
d_a min.	20.9 mm
d_a max.	21.8 mm
D_a min.	26.1 mm
D_a max.	28.3 mm
r_a max.	0.3 mm
r_b max.	1 mm
Basic dynamic load rating C	31.5 kN
Basic static load rating C_0	93 kN
Specific dynamic load factor K	100 N/mm ²
Specific static load factor K_0	300 N/mm ²
Material constant K_M	330
Mass plain bearing	0.055 kg