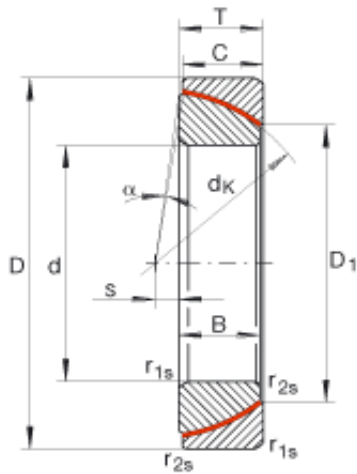




BEARING-SINGAPORE (PTE)LTD.



INA GE80-SW plain bearings

Bearing No. GE80-SW

Size	80x125x27 mm
Bore Diameter	80 mm
Outer Diameter	125 mm
Width	27 mm
T	29 mm
C	27 mm
D ₁	90,5 mm
D _{a min}	99 mm
d _{a max}	88 mm
d _{b max}	104 mm
d _K	115 mm
D _{b min}	117 mm
r _{1s min}	0,6 mm
s	10 mm
alf (°)	2
Weight (kg)	1,5
C _r (N)	734000
C _{0r} (N)	1220000
Category	Spherical Plain Bearings - Thrust
Inventory	0.0
Manufacturer Name	SCHAEFFLER GROUP
Minimum Buy Quantity	N/A
Weight / Kilogram	1.6
EAN	4012802532753

GE80-SW Bearing 2D drawings and 3D CAD models



BEARING-SINGAPORE (PTE)LTD.

Product Group	B04286
Component	Complete with Outer and Inner Ring
Rolling Element	Spherical Plain Bearing
Self Aligning	Yes
Material - Outer Member	Steel
Material - Ball	Steel
Material - Liner	PTFE
Enclosure	Open
Relubricatable	No
Other Features	Angular Contact Single Direction
Long Description	80MM Bore; 125MM Housing Outside Diameter; 29MM Overall Width; Complete with Outer and Inner Ring; Spherical Plain Bearing; Self Aligning; Steel Outer Member; Steel Ball; Open Enclosure; 117MM Ball Ou
Inch - Metric	Metric
Category	Plain Bearings Spherical Thrust
UNSPSC	31171515
Harmonized Tariff Code	8483.30.80.70
Noun	Bearing
Keyword 3	Spherical
Keyword String	Plain Thrust Spherical
Manufacturer URL	http://www.ina.com
Manufacturer Item Number	GE80SW
Weight / LBS	3.528
Housing Width	1.063 Inch 27 Millimeter
Ball Outside Diameter	4.606 Inch 117 Millimeter
Bore	3.15 Inch 80 Millimeter
Housing Outside Diameter	4.921 Inch 125 Millimeter



BEARING-SINGAPORE (PTE)LTD.

Overall Width	1.142 Inch 29 Millimeter
---------------	----------------------------