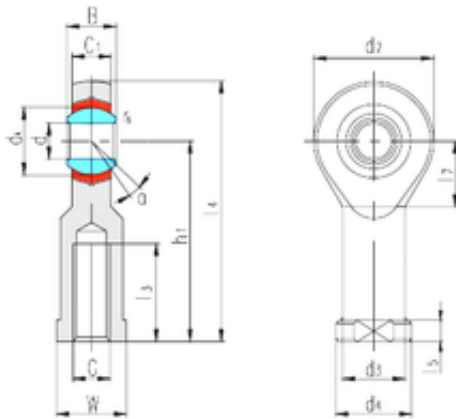




BEARING-SINGAPORE (PTE)LTD.

LS SIZP7N plain bearings



Bearing No. SIZP7N

Bore Diameter	7,94 mm
d	7,94 mm
B	11,1 mm
d2	22,23 mm
d3	10,72 mm
d4	12,7 mm
dk	15,88 mm
h1	34,93 mm
l3 min.	19,05 mm
l4 max.	46,02 mm
l5	4,75 mm
l7 min.	11,7 mm
r min.	0,3 mm
C1	8,74 mm
W	11,1 mm
Thread (G) - 5/16-24	5/1624
Angle	10 °
Weight	0,036 Kg
Basic dynamic load rating (C)	7,6 kN

SIZP7N Bearing 2D drawings and 3D CAD models