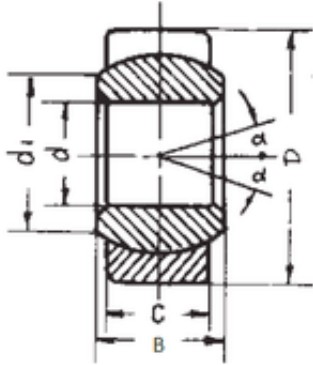




BEARING-SINGAPORE (PTE)LTD.

4 mm x 14 mm x 7 mm FBJ GEG4E plain bearings



Bearing No. GEG4E

Size	4x14x7 mm
Bore Diameter	4 mm
Outer Diameter	14 mm
Width	7 mm
d	4 mm
D	14 mm
B	7 mm
C	4 mm
d1	7 mm
Angle	20 °
Weight	0,005 Kg
Basic dynamic load rating (C)	3,4 kN

GEG4E Bearing 2D drawings and 3D CAD models