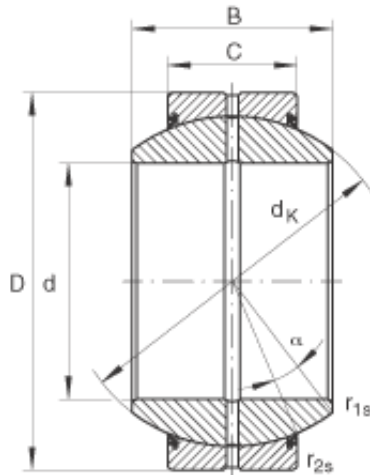




BEARING-SINGAPORE (PTE)LTD.



INA GE50-FO-2RS plain bearings

Bearing No. GE50-FO-2RS

Size	50x90x56 mm
Bore Diameter	50 mm
Outer Diameter	90 mm
Width	56 mm
C	36 mm
$D_{a \min}$	75 mm
$d_{a \max}$	57,1 mm
d_K	80 mm
$r_{1s \min}$	0,6 mm
$r_{2s \min}$	1 mm
alf (°)	17
Weight (kg)	1,4
C_r (N)	245000
C_{Or} (N)	1220000
Category	Spherical Plain Bearings - Radial
Inventory	0.0
Manufacturer Name	SCHAEFFLER GROUP
Minimum Buy Quantity	N/A
Weight / Kilogram	1.676
EAN	4012802533842
Product Group	B04264
Self Aligning	Yes
Rolling Element	Spherical Plain
Material - Outer Member	Steel
Material - Ball	Steel

GE50-FO-2RS Bearing 2D drawings and 3D CAD models



BEARING-SINGAPORE (PTE)LTD.

Material - Liner	Not Applicable
Relubricatable	Yes
Enclosure	2 Seals
Other Features	2 Piece Single Axial Split in Outer Ring Wide Inner Ring with Increased Tilting Angle
Long Description	50MM Bore; 36MM Housing Width; 90MM Outside Diameter; Spherical Plain; Steel Outer Member; Steel Ball; No Liner; 56MM Overall Width; Relubricatable
Inch - Metric	Metric
Category	Plain Bearings Spherical Radial
UNSPSC	31171515
Harmonized Tariff Code	8483.30.80.70
Noun	Bearing
Keyword 3	Spherical
Keyword String	Plain Spherical Radial
Manufacturer URL	http://www.ina.com
Manufacturer Item Number	GE50FO2RS
Weight / LBS	3.087
Outside Diameter	3.543 Inch 90 Millimeter
Bore	1.969 Inch 50 Millimeter
Housing Width	1.417 Inch 36 Millimeter
Overall Width	2.205 Inch 56 Millimeter