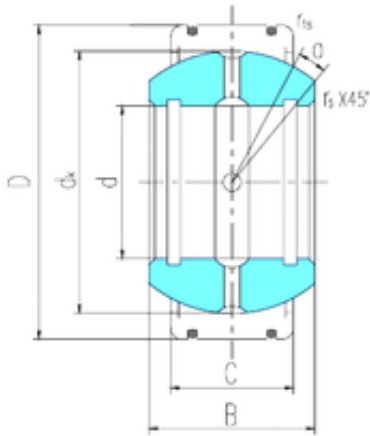




BEARING-SINGAPORE (PTE)LTD.

40 mm x 90 mm x 64 mm LS GEK40XS-2RS
plain bearings



Bearing No. GEK40XS-2RS

Size	40x90x64 mm
Bore Diameter	40 mm
Outer Diameter	90 mm
Width	64 mm
d	40 mm
D	90 mm
B	64 mm
C	44 mm
dk	80 mm
r min.	0,6 mm
r1 min.	1 mm
Angle	19 °
Weight	2 Kg
Basic dynamic load rating (C)	298 kN

GEK40XS-2RS Bearing 2D drawings and 3D CAD models