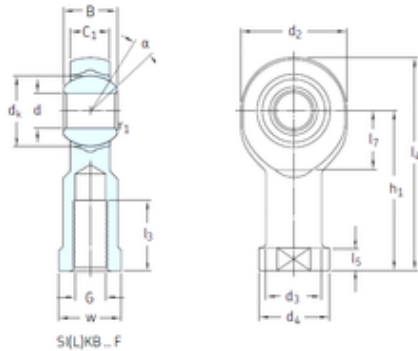




BEARING-SINGAPORE (PTE)LTD.

SKF SIKB16F plain bearings



Bearing No. SIKB16F

| | |
|-------------------------------|------------------|
| Bore Diameter | 16 mm |
| d | 16 mm |
| d2 max. | 43 mm |
| d3 | 22 mm |
| d4 max. | 29 mm |
| dk | 28,5 mm |
| h1 | 64 mm |
| l3 min. | 24 mm |
| l4 max. | 86 mm |
| l5 | 8 mm |
| l7 min. | 21 mm |
| r1 min. | 0,3 mm |
| B | 21 mm |
| C1 max | 15 mm |
| w | 22 Tolerance h14 |
| Thread (G) | M16 Tolerance 6H |
| Angle | 15 ° |
| Weight | 0,23 Kg |
| Basic dynamic load rating (C) | 21,4 kN |

SIKB16F Bearing 2D drawings and 3D CAD models