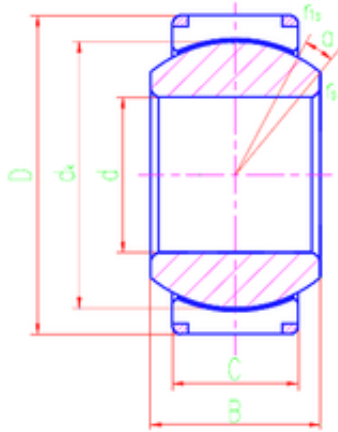




BEARING-SINGAPORE (PTE)LTD.



200 mm x 290 mm x 140 mm LS
GEH200XT-2RS plain bearings

Bearing No. GEH200XT-2RS

Size	200x290x140 mm
Bore Diameter	200 mm
Outer Diameter	290 mm
Width	140 mm
d	200 mm
D	290 mm
B	140 mm
C	134 mm
dk	260 mm
r min.	1,1 mm
r1 min.	1,1 mm
Angle	2 °
Weight	37,1 Kg
Basic dynamic load rating (C)	5220 kN

GEH200XT-2RS Bearing 2D drawings and 3D CAD models