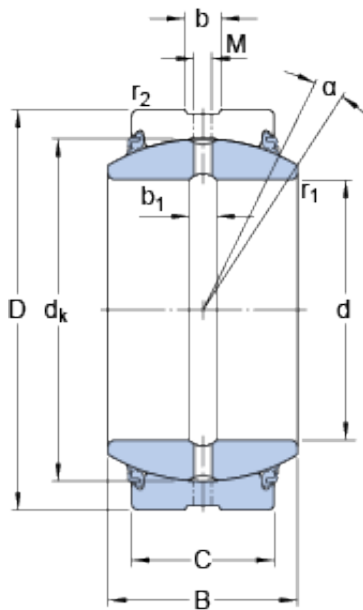




BEARING-SINGAPORE (PTE)LTD.

114.3 mm x 177.8 mm x 100 mm SKF GEZ 408
ESX-2LS plain bearings

Bearing No. GEZ 408 ESX-2LS



GEZ 408 ESX-2LS Bearing 2D drawings and 3D CAD models

Size	177.8x114.3x100 mm
Bore Diameter	177,8 mm
Outer Diameter	114,3 mm
Width	100 mm
d	114.3 mm
D	177.8 mm
B	100 mm
C	85.725 mm
	6 °
d _k	164.465 mm
b	11 mm
b ₁	10 mm
M	8 mm
r ₁ - min.	1 mm
r ₂ - min.	1.1 mm
d _a - min.	122.5 mm
d _a - max.	130.5 mm
D _a - min.	157 mm
D _a - max.	171 mm
r _a - max.	1 mm
r _b - max.	1.1 mm
Basic dynamic load rating - C	1700 kN
Basic static load rating - C ₀	3400 kN
Specific factor dinamic load - K	150 N/mm ²



BEARING-SINGAPORE (PTE)LTD.

Specific factor static load - K_0	300 N/mm ²
Constant - K_M	330
Lubricant	Maintenance free – greased for life
Design (sliding contact surface combination)	Steel/steel
Sealing solution	Triple-lip seals
	6 °
d_k	164.465 mm
b_1	10 mm
r_1 min.	1 mm
r_2 min.	1.1 mm
d_a min.	122.5 mm
d_a max.	130.5 mm
D_a min.	157 mm
D_a max.	171 mm
r_a max.	1 mm
r_b max.	1.1 mm
Basic dynamic load rating C	1700 kN
Basic static load rating C_0	3400 kN
Specific dynamic load factor K	150 N/mm ²
Specific static load factor K_0	300 N/mm ²
Material constant K_M	330
Mass plain bearing	9.8 kg