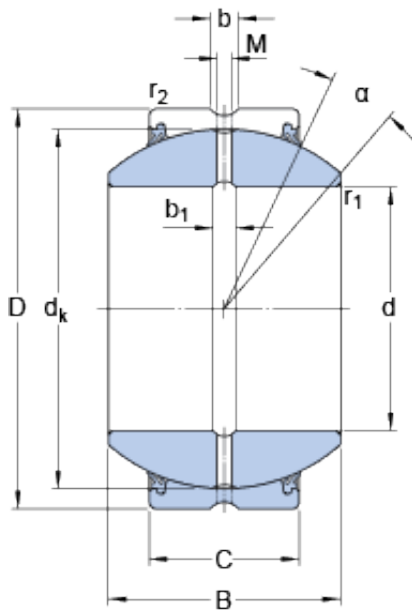




BEARING-SINGAPORE (PTE)LTD.

180 mm x 210 mm x 115 mm SKF GEH 120 ES-2RS plain bearings

Bearing No. GEH 120 ES-2RS



GEH 120 ES-2RS Bearing 2D drawings and 3D CAD models

Size	210x180x115 mm
Bore Diameter	210 mm
Outer Diameter	180 mm
Width	115 mm
d	180 mm
D	210 mm
B	115 mm
C	70 mm
	16 °
d _k	250 mm
b	13.5 mm
M	6 mm
r ₁ - min.	1.1 mm
r ₂ - min.	1 mm
d _a - min.	130 mm
d _a - max.	138.5 mm
D _a - min.	180 mm
D _a - max.	202.5 mm
r _a - max.	1 mm
r _b - max.	1 mm
Basic dynamic load rating - C	1080 kN
Basic static load rating - C ₀	5400 kN
Specific factor dynamic load - K	100 N/mm ²
Specific factor static load -	500 N/mm ²



BEARING-SINGAPORE (PTE)LTD.

K ₀	
Constant - K _M	330
Category	Spherical Plain Bearings - Radial
Inventory	0.0
Manufacturer Name	SKF
Minimum Buy Quantity	N/A
Weight / Kilogram	15.01
EAN	7316570856361
Product Group	B04264
Self Aligning	Yes
Rolling Element	Spherical Plain
Material - Outer Member	Steel
Material - Ball	Steel
Material - Liner	Not Applicable
Relubricatable	Yes
Enclosure	2 Seals
Other Features	2 Piece Larger Tilt Angle Double Lip Seals Lubrication Hole and an Annular Groove in Both Rings
Long Description	120MM Bore; 70MM Housing Width; 210MM Outside Diameter; Spherical Plain; Steel Outer Member; Steel Ball; No Liner; 115MM Overall Width; Relubricatable
Inch - Metric	Metric
Category	Plain Bearings Spherical Radial
UNSPSC	31171515
Harmonized Tariff Code	8483.30.80.70
Noun	Bearing
Keyword 3	Spherical



BEARING-SINGAPORE (PTE)LTD.

Keyword String	Plain Spherical Radial
Manufacturer URL	http://www.skf.com
Manufacturer Item Number	GEH 120 ES-2RS
Weight / LBS	33.069
Overall Width	4.528 Inch 115 Millimeter
Bore	4.724 Inch 120 Millimeter
Housing Width	2.756 Inch 70 Millimeter
Outside Diameter	8.268 Inch 210 Millimeter
bore diameter:	120 mm
inner ring material:	Steel
outside diameter:	210 mm
outer ring width:	70 mm
misalignment angle:	16 °
overall width:	115 mm
inner ring width:	115 mm
radial static load capacity:	5400 kN
bearing type:	Radial
radial dynamic load capacity:	1080 kN
lubrication type:	Requires Lubrication
operating temperature range:	-30 to +130 ° C ° F
closure type:	Sealed
manufacturer upc number:	7316570856361
outer ring material:	Steel
Lubricant	Regular relubrication – grease
Design (sliding contact surface combination)	Steel/steel
Sealing solution	Double-lip seals
	16 °
d _k	180 mm
b ₁	13.5 mm



BEARING-SINGAPORE (PTE)LTD.

r_1 min.	1 mm
r_2 min.	1 mm
d_a min.	130 mm
d_a max.	138.5 mm
D_a min.	180 mm
D_a max.	202.5 mm
r_a max.	1 mm
r_b max.	1 mm
Basic dynamic load rating C	1080 kN
Basic static load rating C_0	5400 kN
Specific dynamic load factor K	100 N/mm ²
Specific static load factor K_0	500 N/mm ²
Material constant K_M	330
Mass plain bearing	15 kg