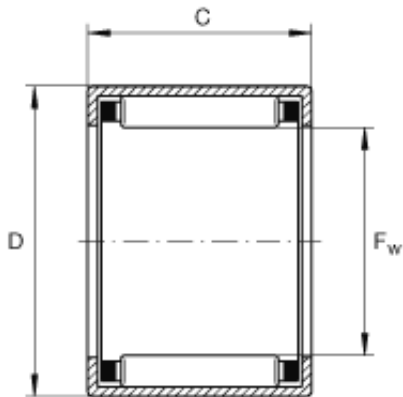




# BEARING-SINGAPORE (PTE)LTD.



## INA SCE96 needle roller bearings

Bearing No. SCE96

Size	14.288x19.05x9.525 mm
Bore Diameter	14,288 mm
Outer Diameter	19,05 mm
Width	9,525 mm
F <sub>w</sub>	9/16 inch
F <sub>w</sub>	14,288 mm
D	0,75 inch
D	19,05 mm
C	0,375 inch
C	9,525 mm
m	0,013 lbs / Weight
m	6 g / Weight
C <sub>r</sub>	1170 lbf / Dynamic load rating (radial)
C <sub>r</sub>	5200 N / Dynamic load rating (radial)
C <sub>0r</sub>	1440 lbf / Static load rating (radial)
C <sub>0r</sub>	6400 N / Static load rating (radial)
n <sub>G</sub>	17600 1/min / Limiting speed
n <sub>B</sub>	12500 1/min / Reference speed
Category	Needle Non Thrust Roller Bearings
Inventory	0.0
Manufacturer Name	SCHAEFFLER GROUP

SCE96 Bearing 2D drawings and 3D CAD models



## BEARING-SINGAPORE (PTE)LTD.

Minimum Buy Quantity	N/A
Weight / Kilogram	0.007
EAN	4012802134759
Product Group	B04144
Rolling Element	Needle Roller Bearing
Component	Roller Assembly with Outer Ring - No Inner Ring
Enclosure	Open
Self Aligning	No
Retainer	Yes
Number of Rows of Rollers	Single Row
Separable	No
Closed End	No
Inch - Metric	Inch
Relubricatable	No
Thrust Bearing	No
Long Description	9/16" Bore; 3/4" Outside Diameter; 3/8" Width; Needle Roller Bearing; Roller Assembly with Outer Ring - No Inner Ring; Open Enclosure; No Self Aligning; Yes Retainer; Single Row of Roll
Other Features	2 Rib Outer Ring   Drawn Cup Bearing   Steel Cage
Category	Needle Non Thrust Roller Bearing
UNSPSC	31171512
Harmonized Tariff Code	8482.40.00.00
Noun	Bearing
Keyword String	Needle
Manufacturer URL	<a href="http://www.ina.com">http://www.ina.com</a>
Manufacturer Item Number	SCE96
Weight / LBS	0.013



## BEARING-SINGAPORE (PTE)LTD.

Outside Diameter	0.75 Inch   19.05 Millimeter
Bore	0.563 Inch   14.3 Millimeter
Width	0.375 Inch   9.525 Millimeter