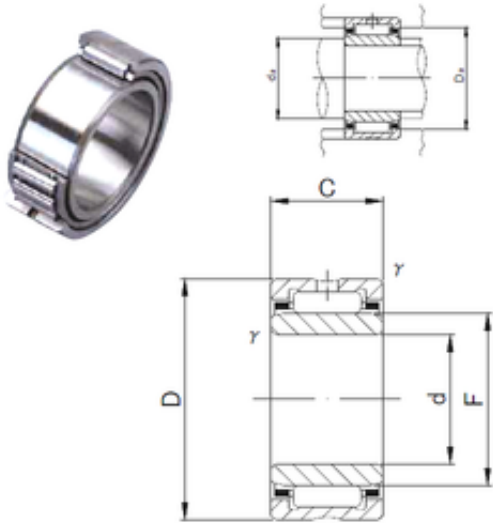




## BEARING-SINGAPORE (PTE)LTD.



160 mm x 200 mm x 40 mm JNS NA 4832  
needle roller bearings

Bearing No. NA 4832

Size	160x200x40 mm
Bore Diameter	160 mm
Outer Diameter	200 mm
Width	40 mm
d	160 mm
F	175 mm
D	200 mm
B	40 mm
C	40 mm
r min.	1,1 mm
da min.	166,5 mm
da max	173 mm
Da max.	193,5 mm
Weight	3,05 Kg
Basic dynamic load rating (C)	173 kN
Basic static load rating (C0)	474 kN

NA 4832 Bearing 2D drawings and 3D CAD models