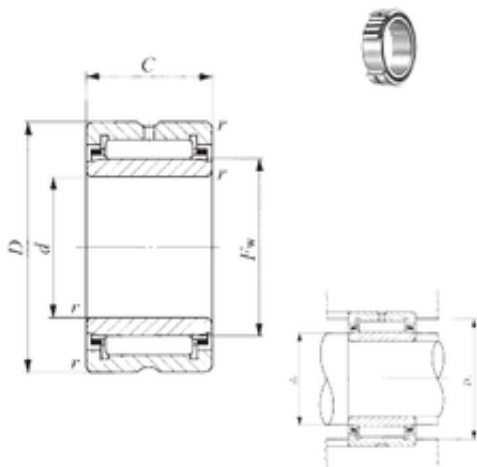




BEARING-SINGAPORE (PTE)LTD.

30 mm x 47 mm x 17 mm IKO NA 4906 needle roller bearings



Bearing No. NA 4906

Size	30x47x17 mm
Bore Diameter	30 mm
Outer Diameter	47 mm
Width	17 mm
d	30 mm
Fw	35 mm
D	47 mm
B	17 mm
C	17 mm
r min.	0,3 mm
da min.	32 mm
da max	34 mm
Da max.	45 mm
S	0,5 mm
Weight	0,106 Kg
Basic dynamic load rating (C)	25,2 kN
Basic static load rating (C0)	34,7 kN

NA 4906 Bearing 2D drawings and 3D CAD models