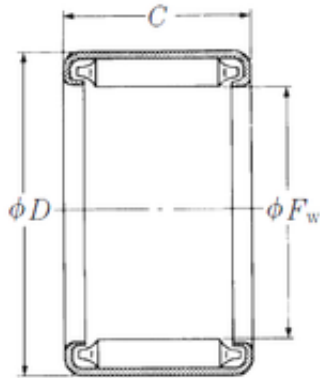




BEARING-SINGAPORE (PTE)LTD.

NSK B-2616 needle roller bearings



Bearing No. B-2616

Size	41.275x50.8x25.4 mm
Bore Diameter	41,275 mm
Outer Diameter	50,8 mm
Width	25,4 mm
Fw	41,275 mm
D	50,8 mm
C	25,4 mm
Weight	0,089 Kg
Basic dynamic load rating (C)	49,5 kN

B-2616 Bearing 2D drawings and 3D CAD models