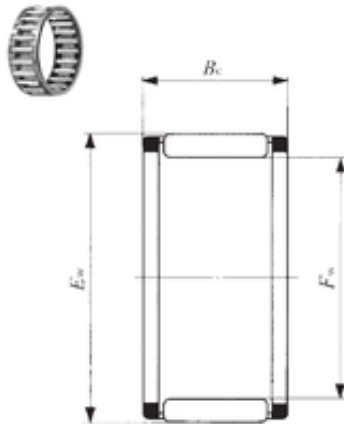




BEARING-SINGAPORE (PTE)LTD.



IKO KT 354218 needle roller bearings

Bearing No. KT 354218

Bore Diameter	35 mm
Outer Diameter	42 mm
Fw	35 mm
Ew	42 mm
Bc	18 mm
Weight	0,0355 Kg
Basic dynamic load rating (C)	26 kN
Basic static load rating (C0)	39,5 kN
Category	Needle Non Thrust Roller Bearings
Inventory	0.0
Manufacturer Name	IKO
Minimum Buy Quantity	N/A
Weight / Kilogram	0.04
EAN	4549557035296
Product Group	B04144
Rolling Element	Needle Roller Bearing
Component	Roller Assembly Only
Enclosure	Not Applicable
Self Aligning	No
Retainer	Yes
Number of Rows of Rollers	Single Row
Separable	No
Closed End	Not Applicable
Inch - Metric	Metric
Thrust Bearing	No

KT 354218 Bearing 2D drawings and 3D CAD models



BEARING-SINGAPORE (PTE)LTD.

Long Description	35MM Bore; 42MM Outside Diameter; 18MM Width; Needle Roller Bearing; Roller Assembly Only; Not Self Aligning; Retainer; Single Row of Rollers; Not Separable
Other Features	C3 Clearance
Category	Needle Non Thrust Roller Bearing
UNSPSC	31171512
Harmonized Tariff Code	8482.99.65.30
Noun	Roller Assembly
Keyword String	Bearing Needle
Manufacturer URL	http://www.ikont.com
Manufacturer Item Number	KT354218C3
Weight / LBS	0.078
Width	0.709 Inch 18 Millimeter
Outside Diameter	1.654 Inch 42 Millimeter
Bore	1.378 Inch 35 Millimeter