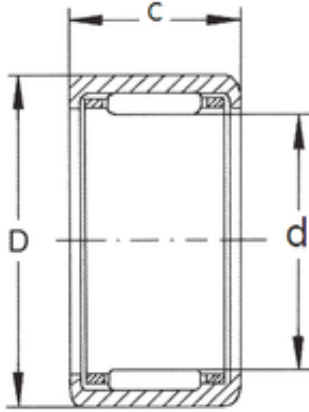




BEARING-SINGAPORE (PTE)LTD.

FBJ HK0509TN needle roller bearings



Bearing No. HK0509TN

Size	5x9x9 mm
Bore Diameter	5 mm
Outer Diameter	9 mm
Width	9 mm
d	5 mm
D	9 mm
C	9 mm
Weight	0,002 Kg
Basic dynamic load rating (C)	2,2 kN
Basic static load rating (C0)	1,79 kN
(Grease) Lubrication Speed	22000 r/min

HK0509TN Bearing 2D drawings and 3D CAD models