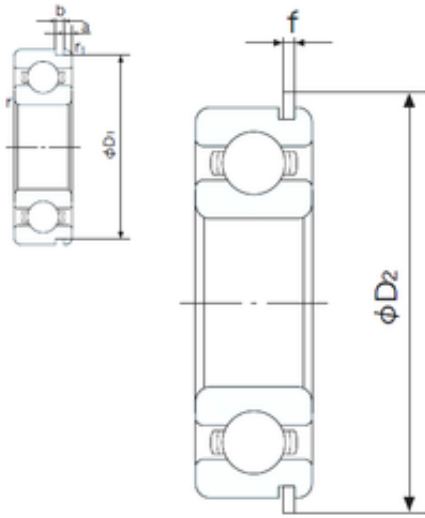




## BEARING-SINGAPORE (PTE)LTD.



85 mm x 120 mm x 18 mm NACHI 6917NR  
deep groove ball bearings

Bearing No. 6917NR

6917NR Bearing 2D drawings and 3D CAD models

Size	85x120x18 mm
Bore Diameter	85 mm
Outer Diameter	120 mm
Width	18 mm
d	85 mm
D	120 mm
B	18 mm
C	18 mm
a	3.3 mm
b	1.3 mm
f	1.12 mm
r min.	1.1 mm
r1 min.	0.5 mm
D1	117.6 mm
D2	125.7 mm
Weight	0.524 Kg
Basic dynamic load rating (C)	32 kN
Basic static load rating (C0)	29,6 kN
(Grease) Lubrication Speed	5200 r/min
Bore Type	Cylindrical Bore
Configuration	Single Row
Enclosure	Snap Ring Groove with Snap Ring
Bore Size	85 mm
Outside Diameter	120 mm



## BEARING-SINGAPORE (PTE)LTD.

Width	18 mm
Fillet Radius/Chamfer	1.1 mm
r1	0.5 mm
Snap Ring Width	1.1 mm
Snap Ring Outside Diameter	125.7 mm
D1 (max)	117.6 mm
a (max)	3.3 mm
b (min)	1.3 mm
Dynamic Load Rating	32,000 N
Static Load Rating	29,600 N
Limiting Speed - Grease	5,400 rpm
Limiting Speed - Oil	6,300 rpm
Factor fo	16.4
Radial Clearance	0.012 to 0.036 mm
da (min)	91 mm
Da (max)	113 mm
Dx (min)	127 mm
ra (max)	1 mm
Cy (max)	4.1 mm