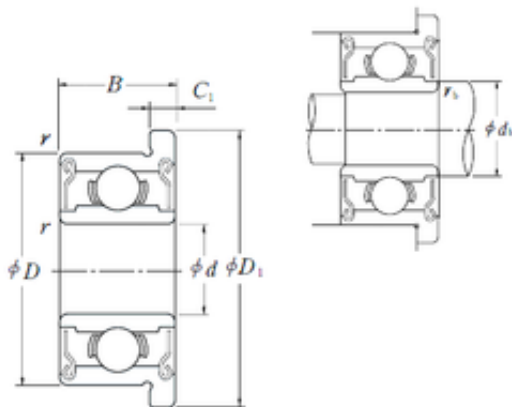




BEARING-SINGAPORE (PTE)LTD.



6,35 mm x 9,525 mm x 3,175 mm ISO
FR168BZZ deep groove ball bearings

Bearing No. FR168BZZ

Size	6.35x9.525x3.175 mm
Bore Diameter	6,35 mm
Outer Diameter	9,525 mm
Width	3,175 mm
d	6,35 mm
D	9,525 mm
D1	10,719 mm
B	3,175 mm
C	3,175 mm
r min.	0,1 mm
C1	0,91 mm

FR168BZZ Bearing 2D drawings and 3D CAD models