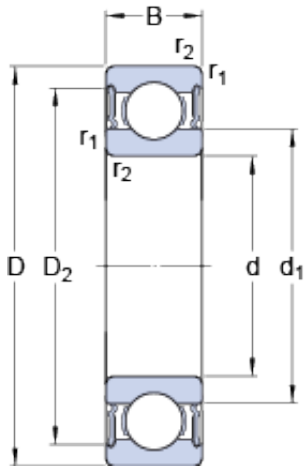




BEARING-SINGAPORE (PTE)LTD.



100 mm x 125 mm x 13 mm SKF 61820-2RS1
deep groove ball bearings

Bearing No. 61820-2RS1

61820-2RS1 Bearing 2D drawings and 3D CAD models

Size	125x100x13 mm
Bore Diameter	125 mm
Outer Diameter	100 mm
Width	13 mm
d	100 mm
D	125 mm
B	13 mm
d ₁	108.3 mm
D ₂	119.3 mm
r _{1,2} - min.	1 mm
d _a - min.	105 mm
d _a - max.	107.9 mm
D _a - max.	120 mm
r _a - max.	1 mm
Basic dynamic load rating - C	17.8 kN
Basic static load rating - C ₀	18.3 kN
Fatigue load limit - P _u	0.95 kN
Limiting speed	3000 r/min
Calculation factor - k _r	0.015
Calculation factor - f ₀	13.3
Category	Single Row Ball Bearings
Inventory	0.0
Manufacturer Name	SKF
Minimum Buy Quantity	N/A



BEARING-SINGAPORE (PTE)LTD.

Weight / Kilogram	0.333
EAN	7316577100498
Product Group	B00308
Enclosure	2 Seals
Precision Class	ABEC 1 ISO P0
Maximum Capacity / Filling Slot	No
Rolling Element	Ball Bearing
Snap Ring	No
Internal Special Features	No
Cage Material	Steel
Enclosure Type	Contact Seal
Internal Clearance	C0-Medium
Inch - Metric	Metric
Long Description	100MM Bore; 125MM Outside Diameter; 13MM Outer Race Diameter; 2 Seals; Ball Bearing; ABEC 1 ISO P0; No Filling Slot; No Snap Ring; No Internal Special Features
Category	Single Row Ball Bearing
UNSPSC	31171504
Harmonized Tariff Code	8482.10.50.68
Noun	Bearing
Keyword String	Ball
Manufacturer URL	http://www.skf.com
Manufacturer Item Number	61820 2RS1
Weight / LBS	0.73
Outer Race Width	0.512 Inch 13 Millimeter
Bore	3.937 Inch 100 Millimeter
Outside Diameter	4.921 Inch 125 Millimeter
bore diameter:	100 mm
static load capacity:	18.3 kN



BEARING-SINGAPORE (PTE)LTD.

outside diameter:	125 mm
precision rating:	Not Rated
overall width:	13 mm
finish/coating:	Uncoated
bore type:	Round
cage material:	Steel
closure type:	Double Sealed
outer ring width:	13 mm
row type & fill slot:	Single Row Non-Fill Slot
fillet radius:	1 mm
internal clearance:	C0
maximum rpm:	3000 RPM
operating temperature range:	-40 to +210 ° F
series:	61
dynamic load capacity:	17.8 kN
d_1	108.3 mm
D_2	119.3 mm
$r_{1,2}$ min.	1 mm
d_a min.	105 mm
d_a max.	107.9 mm
D_a max.	120 mm
r_a max.	1 mm
Basic dynamic load rating C	17.8 kN
Basic static load rating C_0	18.3 kN
Fatigue load limit P_u	0.95 kN
Calculation factor k_r	0.015
Calculation factor f_0	13.3
Mass bearing	0.32 kg