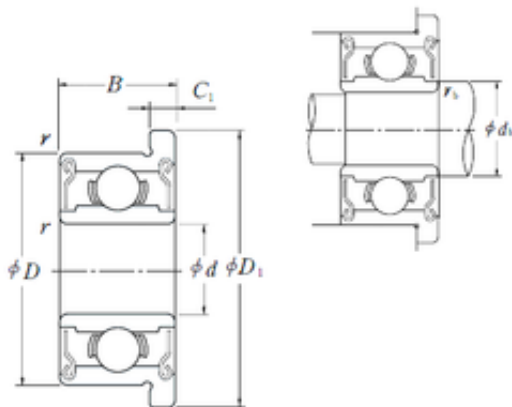




BEARING-SINGAPORE (PTE)LTD.



2,38 mm x 4,762 mm x 2,38 mm NSK FR 133
ZZS deep groove ball bearings

Bearing No. FR 133 ZZS

Size	2.38x5.944x2.38 mm
Bore Diameter	2,38 mm
Outer Diameter	5,944 mm
Width	2,38 mm
d	2,38 mm
D	4,762 mm
D1	5,944 mm
B	2,38 mm
C	2,38 mm
r min.	0,1 mm
C1	0,79 mm
db min	3 mm
ra max.	0,1 mm
Weight	0,19 Kg
Basic dynamic load rating (C)	0,143 kN
Basic static load rating (C0)	0,052 kN

FR 133 ZZS Bearing 2D drawings and 3D CAD models