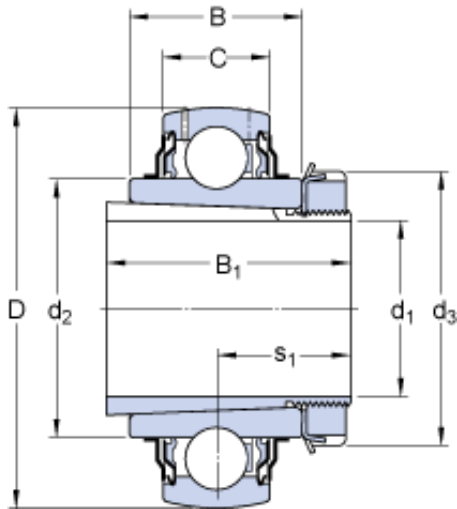




# BEARING-SINGAPORE (PTE)LTD.



55.563 mm x 120 mm x 43.5 mm SKF YSA  
213-2FK + HA 2313 deep groove ball bearings

Bearing No. YSA 213-2FK + HA 2313

YSA 213-2FK + HA 2313 Bearing 2D drawings and 3D  
CAD models

Size	120x55.562x65 mm
Bore Diameter	120 mm
Outer Diameter	55,562 mm
Width	65 mm
$d_1$	55.562 mm
D	120 mm
$B_1$	65 mm
B	43.5 mm
C	27 mm
$d_2$	82.5 mm
$d_3$	85 mm
$s_1 - ?$	35.4 mm
Basic dynamic load rating - C	57.2 kN
Basic static load rating - $C_0$	40 kN
Fatigue load limit - $P_u$	1.7 kN
Limiting speed	3000 r/min
Calculation factor - $f_0$	15
d	55.563 mm
$B_1$	65 mm
$d_1$	82.5 mm
$d_3$	85 mm
$s_1$	35.3 mm
Basic dynamic load rating C	57.2 kN
Basic static load rating $C_0$	40 kN



## BEARING-SINGAPORE (PTE)LTD.

Fatigue load limit $P_u$	1.7 kN
Limiting speed <sup>1)</sup>	3000 r/min
Calculation factor $f_0$	15
Mass bearing + adapter sleeve	2.1 kg
Associated spanner	HN 12-13
Recommended lock nut tightening angle	100 °