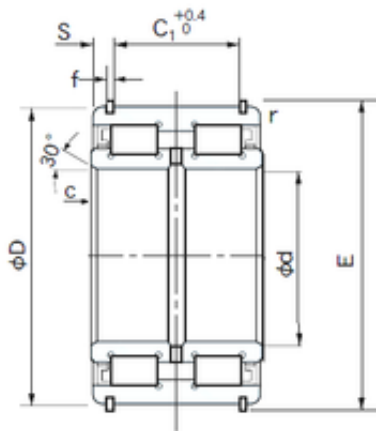




## BEARING-SINGAPORE (PTE)LTD.



45 mm x 75 mm x 40 mm NACHI E5009NR  
cylindrical roller bearings

Bearing No. E5009NR

E5009NR Bearing 2D drawings and 3D CAD models

Size	45x75x40 mm
Bore Diameter	45 mm
Outer Diameter	75 mm
Width	40 mm
d	45 mm
D	75 mm
B	40 mm
C	39 mm
c	1.5 mm
f	2 mm
r min.	0.6 mm
C1	30 mm
E	78.8 mm
S	4.5 mm
Weight	0.70 Kg
Basic dynamic load rating (C)	95 kN
Basic static load rating (C0)	144 kN
Category	Roller Bearings
Inventory	0.0
Manufacturer Name	NACHI
Minimum Buy Quantity	N/A
Weight / Kilogram	0
Product Group	B04144