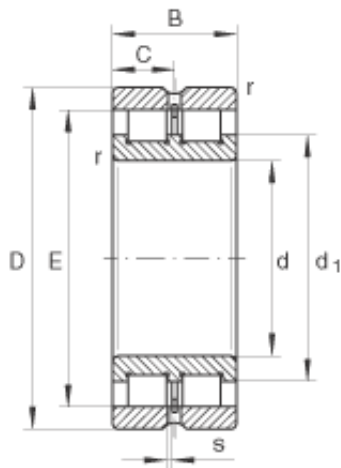




BEARING-SINGAPORE (PTE)LTD.



130 mm x 180 mm x 50 mm INA SL024926
cylindrical roller bearings

Bearing No. SL024926

SL024926 Bearing 2D drawings and 3D CAD models

Size	130x180x50 mm
Bore Diameter	130 mm
Outer Diameter	180 mm
Width	50 mm
d	130 mm
D	180 mm
B	50 mm
C	25 mm
d ₁	149,5 mm
E	165,4 mm
r _{min}	1,5 mm
s	4 mm / Axial displacement
	NNCL4926V / Designation to DIN 5412
m	3,8 kg / Weight
C _r	260000 N / Dynamic load rating (radial)
C _{0r}	510000 N / Static load rating (radial)
C _{ur}	63000 N / Fatigue limit load, radial
n _G	2090 1/min / Limiting speed
Category	Cylindrical Roller Bearings
Inventory	0.0
Manufacturer Name	SCHAEFFLER GROUP
Minimum Buy Quantity	N/A



BEARING-SINGAPORE (PTE)LTD.

Weight / Kilogram	4.555
EAN	4012802071375
Product Group	B04144
Bore Profile	Straight
Cage Material	None
Precision Class	RBEC 1 ISO P0
Number of Rows of Rollers	Double Row
Separable	Outer Ring - Both Sides
Rolling Element	Cylindrical Roller Bearing
Profile	Complete with Outer and Inner Ring
Snap Ring	No
Internal Clearance	C0-Medium
Retainer	No
Relubricatable	Yes
Inch - Metric	Metric
Other Features	Full Complement 3 Rib Inner Ring Plain Outer Ring Operating Temperature From -30 to 120 Deg
Long Description	130MM Bore; Straight Bore Profile; 180MM Outside Diameter; 50MM Width; RBEC 1 ISO P0; Double Row; Outer Ring - Both Sides Separable; No Snap Ring; Relubricatable; C0-Medium Internal Clearance; No Re
Category	Cylindrical Roller Bearing
UNSPSC	31171547
Harmonized Tariff Code	8482.50.00.00
Noun	Bearing
Manufacturer URL	http://www.ina.com
Manufacturer Item Number	SL024926



BEARING-SINGAPORE (PTE)LTD.

Weight / LBS	10.032
Bore	5.118 Inch 130 Millimeter
Width	1.969 Inch 50 Millimeter
Outside Diameter	7.087 Inch 180 Millimeter