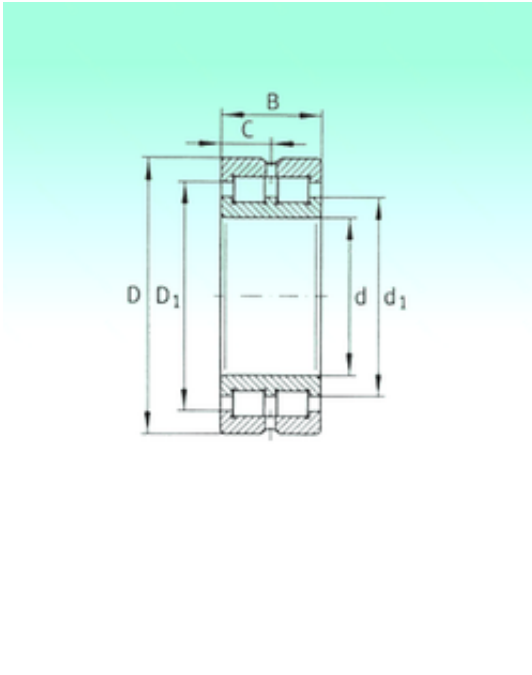




BEARING-SINGAPORE (PTE)LTD.



SL014880 Bearing 2D drawings and 3D CAD models

400 mm x 500 mm x 100 mm NBS SL014880
cylindrical roller bearings

Bearing No. SL014880

Size	400x500x100 mm
Bore Diameter	400 mm
Outer Diameter	500 mm
Width	100 mm
d	400 mm
D	500 mm
B	100 mm
C	100 mm
d1	433,8 mm
C	50 mm
D1	462 mm
Weight	46,5 Kg
Basic dynamic load rating (C)	1360 kN
Basic static load rating (C0)	3700 kN