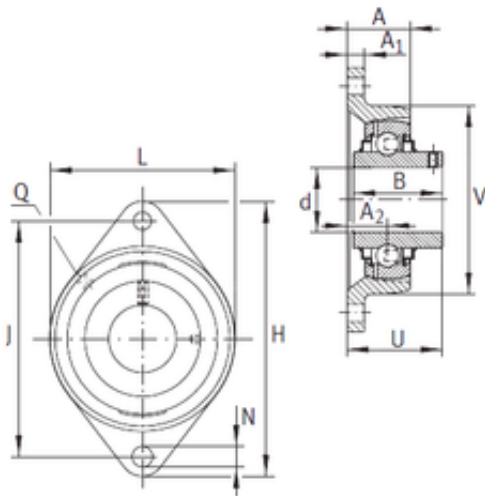




BEARING-SINGAPORE (PTE)LTD.



RCJTY15 Bearing 2D drawings and 3D CAD models

INA RCJTY15 bearing units

Bearing No. RCJTY15

Bore Diameter	15 mm
d	15 mm
V	57 mm
U	32,9 mm
Thread (Q)	M6
A	25 mm
A1	9,5 mm
B	27,4 mm
H	99 mm
J	76,5 mm
L	57 mm
N	11,5 mm
A2	17 mm
Weight	0,35 Kg
Basic dynamic load rating (C)	9,8 kN
Category	Bearings
Inventory	0.0
Manufacturer Name	SCHAEFFLER GROUP
Minimum Buy Quantity	N/A
Weight / Kilogram	0
EAN	4012802098105
Product Group	M06110
Number of Mounting Holes	2
Mounting Method	Set Screw
Housing Style	2 Bolt Flange Block
Rolling Element	Ball Bearing



BEARING-SINGAPORE (PTE)LTD.

Housing Material	Cast Iron
Expansion / Non-expansion	Non-expansion
Mounting Bolts	11.5 Millimeter
Relubricatable	Yes
Insert Part Number	GYE15KRRB
Seals	Double Land Riding Rubber Contact
Housing Configuration	1 Piece Solid
Pilot Configuration	No Pilot
Inch - Metric	Metric
Long Description	2 Bolt Flange Block; 15MM Bore; 76MM Bolt Circle; 76.5MM Bolt Spacing; 1 Piece Solid; Set Screw Mount; Cast Iron; Ball Bearing; 27.4MM Length Thru Bore; Relubricatable; Double Land Riding Rubber Conta
Other Features	Single Row With Grub Screw
Category	Flange Block
UNSPSC	31171501
Harmonized Tariff Code	8483.20.40.40
Noun	Bearing
Keyword String	Flanged
Manufacturer URL	http://www.ina.com
Manufacturer Item Number	RCJTY15
Weight / LBS	0.882
Cartridge Pilot Diameter	0 Inch 0 Millimeter
Length Thru Bore	1.079 Inch 27.4 Millimeter
Bore	0.591 Inch 15 Millimeter
Cartridge Pilot Depth	0 Inch 0 Millimeter
Bolt Spacing	3.012 Inch 76.5 Millimeter
Nominal Bolt Circle	3 Inch 76 Millimeter



BEARING-SINGAPORE (PTE)LTD.

Diameter Round	
----------------	--