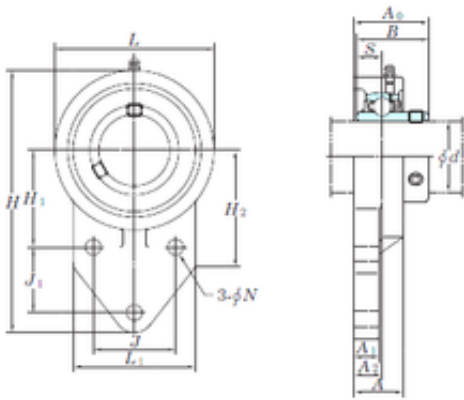




BEARING-SINGAPORE (PTE)LTD.

KOYO UCFB201 bearing units



Bearing No. UCFB201

Bore Diameter	12 mm
d	12 mm
A0	31,8 mm
A	24 mm
A1	13 mm
B	31 mm
H	110 mm
H1	42 mm
H2	52 mm
J	32 mm
L	62 mm
L1	52 mm
N	9,5 mm
S	12,7 mm
Bolt (G)	M8
A2	13,5 mm
J1	27 mm
Weight	0,64 Kg
Basic dynamic load rating (C)	12,8 kN
Basic static load rating (C0)	6,65 kN

UCFB201 Bearing 2D drawings and 3D CAD models