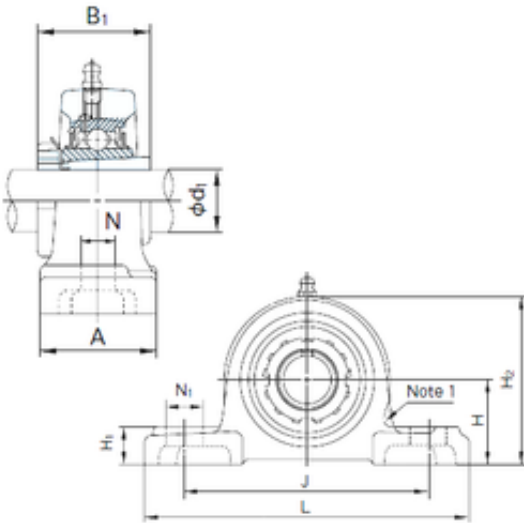




BEARING-SINGAPORE (PTE)LTD.

NACHI UKP317+H2317 bearing units

Bearing No. UKP317+H2317



UKP317+H2317 Bearing 2D drawings and 3D CAD models

Bore Diameter	75 mm
Width	112 mm
d	75 mm
A	110 mm
B1	82 mm
H	112 mm
H1	45 mm
H2	221 mm
J	320 mm
L	420 mm
N	33 mm
N1	45 mm
Bolt (G)	M27