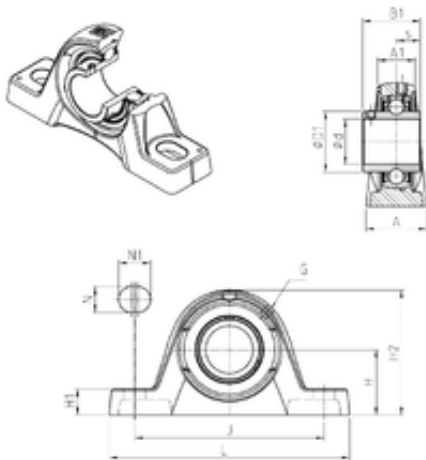




## BEARING-SINGAPORE (PTE)LTD.



UCPLE202 Bearing 2D drawings and 3D CAD models

### SNR UCPLE202 bearing units

Bearing No. UCPLE202

Bore Diameter	15 mm
d	15 mm
s	12,7 mm
A	32 mm
A1	22,5 mm
B1	31 mm
D1	29 mm
H	31,8 mm
H1	12,5 mm
H2	63,7 mm
J	94,5 mm
L	126,5 mm
N	11 mm
N1	17 mm
Thread (G)	M6x1
Weight	0,5 Kg
Basic dynamic load rating (C)	12,8 kN
B	31 mm
G	M6x1
s1	15.5 mm
S	12.7 mm
C	12.8 kN
C0	6.65 kN
T min.	-20 ° C
T max.	100 ° C
Recommended tightening	5.5 Nm



## BEARING-SINGAPORE (PTE)LTD.

torque for set screw	
Designation of housing	PLE204-
Designation of bearing	UC202G2