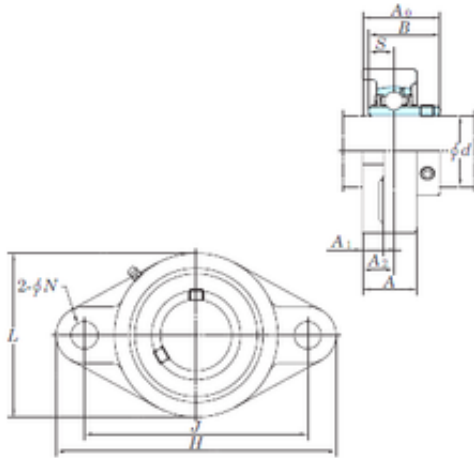




BEARING-SINGAPORE (PTE)LTD.



KOYO UCFL208E bearing units

Bearing No. UCFL208E

Bore Diameter	40 mm
d	40 mm
A0	51,2 mm
A	36 mm
A1	14 mm
B	49,2 mm
H	175 mm
J	143,7 mm
L	100 mm
N	13 mm
S	19 mm
A2	21 mm
Weight	1,6 Kg
Basic dynamic load rating (C)	29,1 kN
Basic static load rating (C0)	17,8 kN

UCFL208E Bearing 2D drawings and 3D CAD models