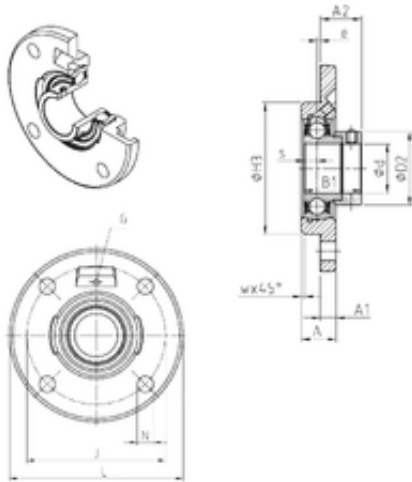




BEARING-SINGAPORE (PTE)LTD.



SNR ESFCE202 bearing units

Bearing No. ESFCE202

Bore Diameter	15 mm
d	15 mm
H3	62 mm
e	2 mm
s	6,5 mm
A	18 mm
A1	8 mm
B1	28,6 mm
D2	28,6 mm
J	78 mm
L	100 mm
N	9 mm
W	2 mm
Thread (G)	M6x1
A2	20,1 mm
Weight	0,5 Kg
Basic dynamic load rating (C)	9,55 kN

ESFCE202 Bearing 2D drawings and 3D CAD models